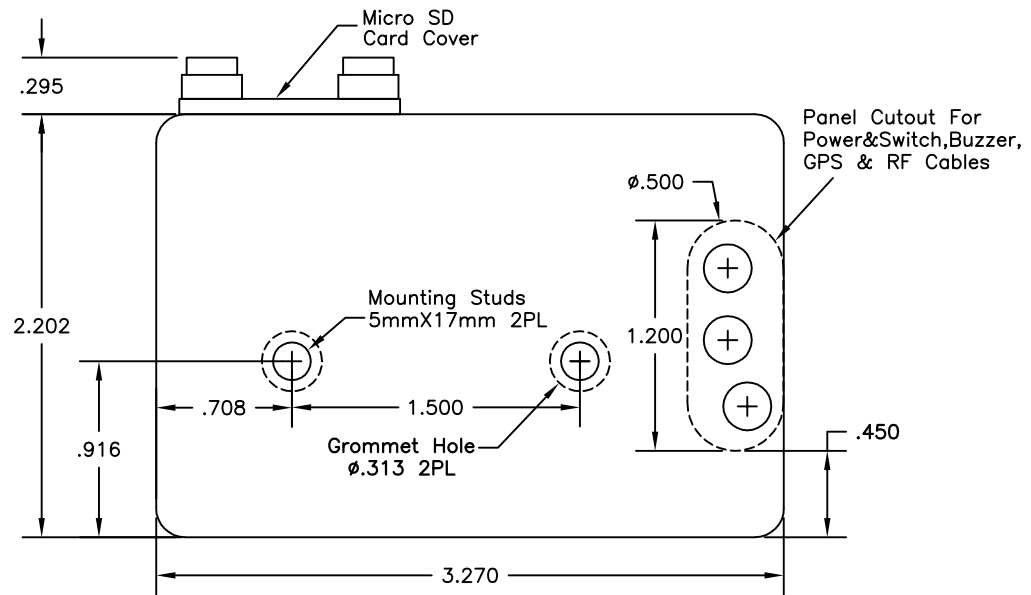


RALLY COMP FOOTPRINT



Notes:

1. **Unit must be mounted with Rubber Isolation Grommets.
2. Minimum 3mm Gap between Rally Comp and other components.
3. Dimensions in Inches
4. Unit Power Cable Female 2Pin
5. Unit Thumb Sw Cable Male 3Pin
6. Dashed Lines Show Panel Cutouts
7. Print this Drawing and use as Template

Revised 2/7/17